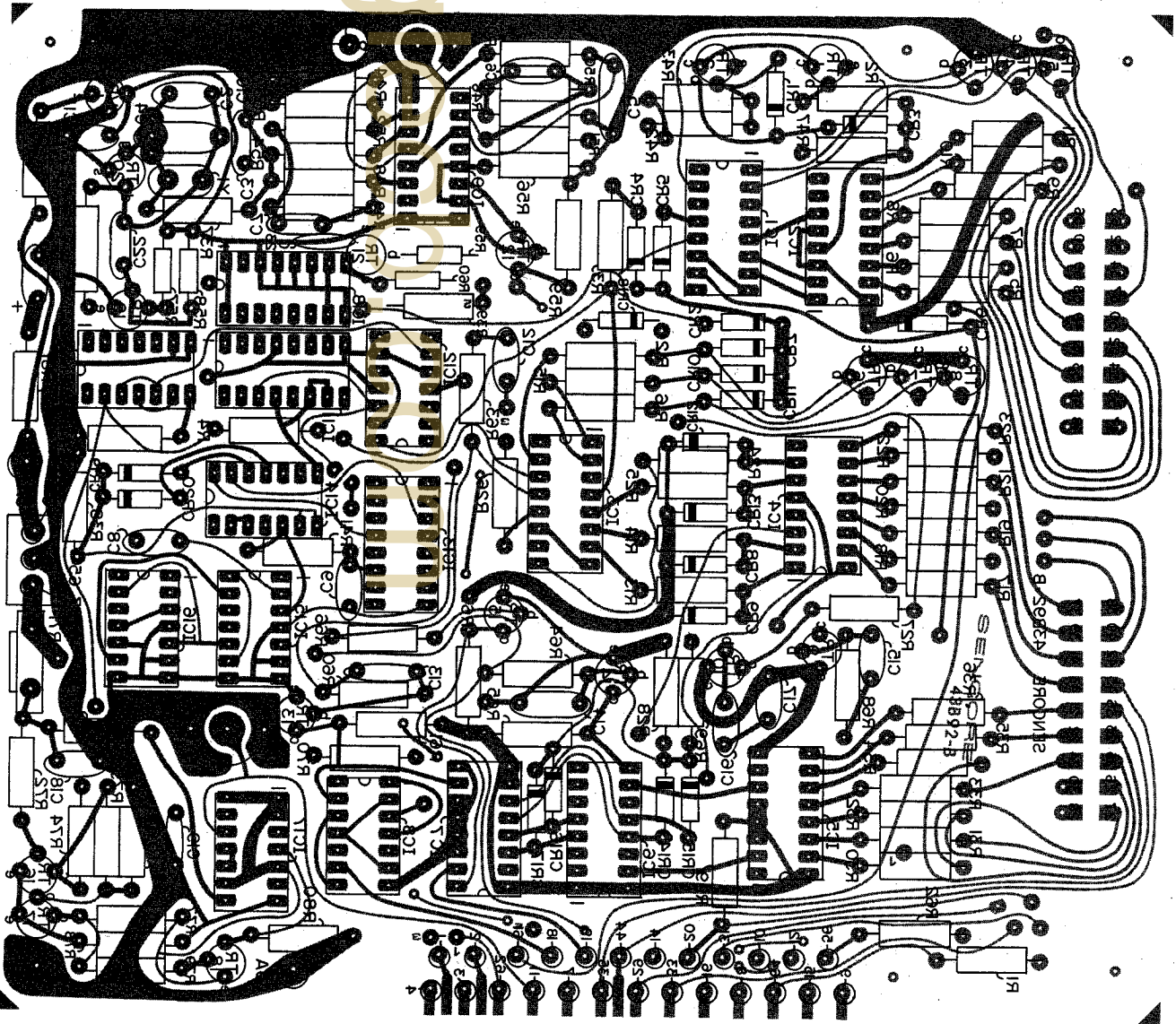


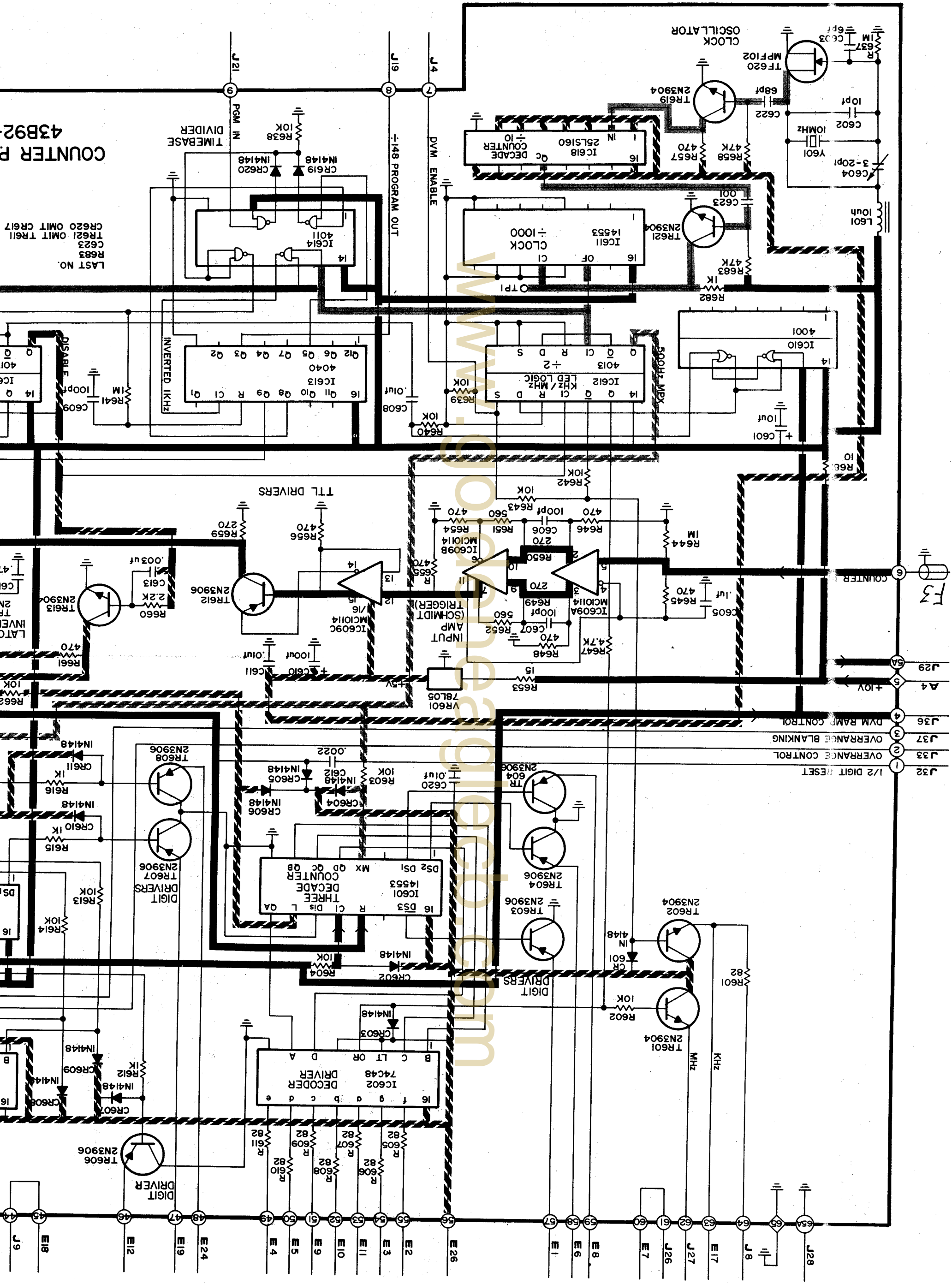
COUNTER BOARD (COMPONENT SIDE)

H



COUNTER BOARD (FOIL SIDE)

COUNTER P  
43B92-  
LAST NO.  
R683  
C623  
TR621 OMIT TR611  
CR620 OMIT CR617

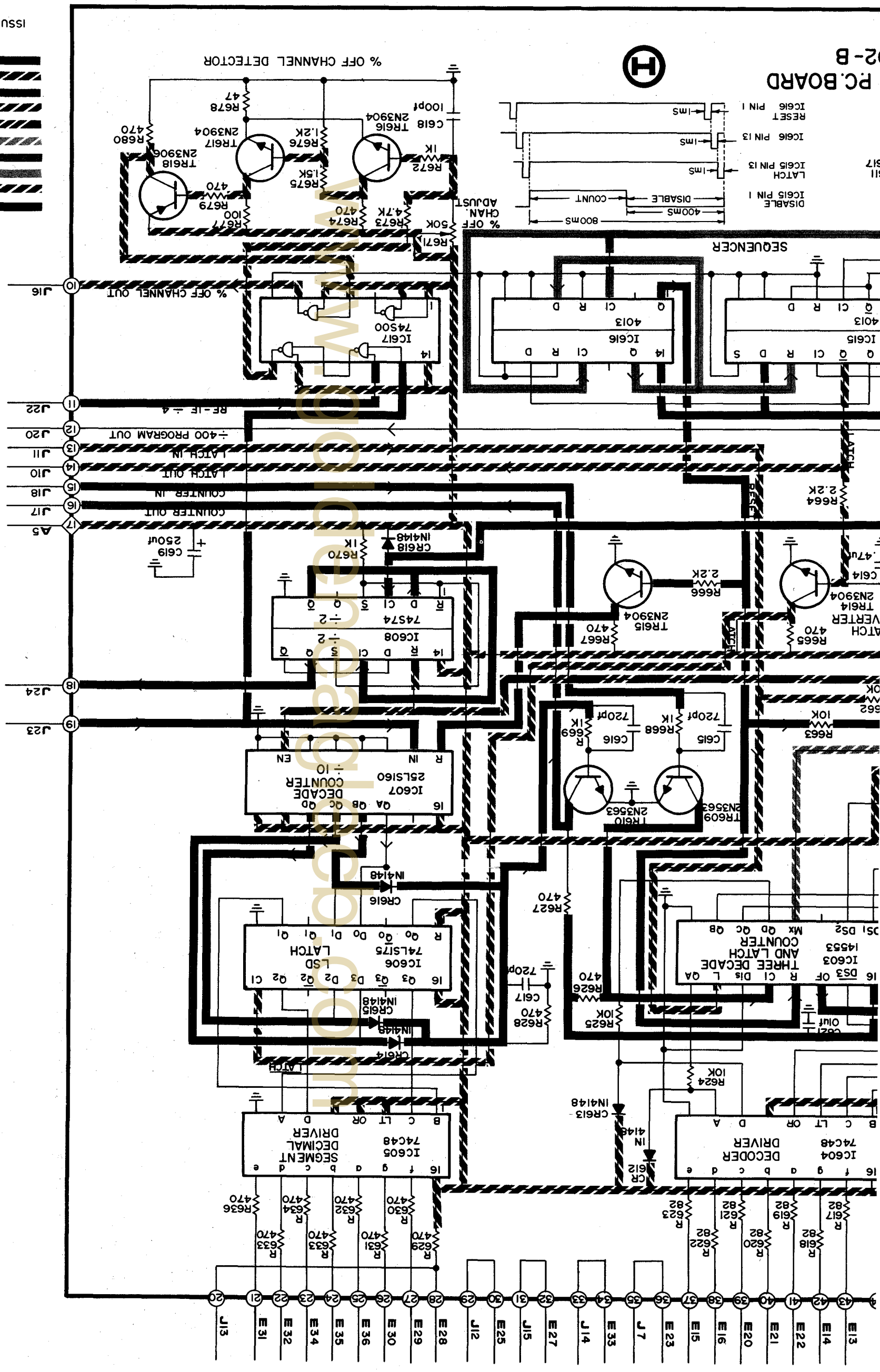




# THIS PAGE INCLUDES BOARD H

ISSUE DATE: 1-10-77

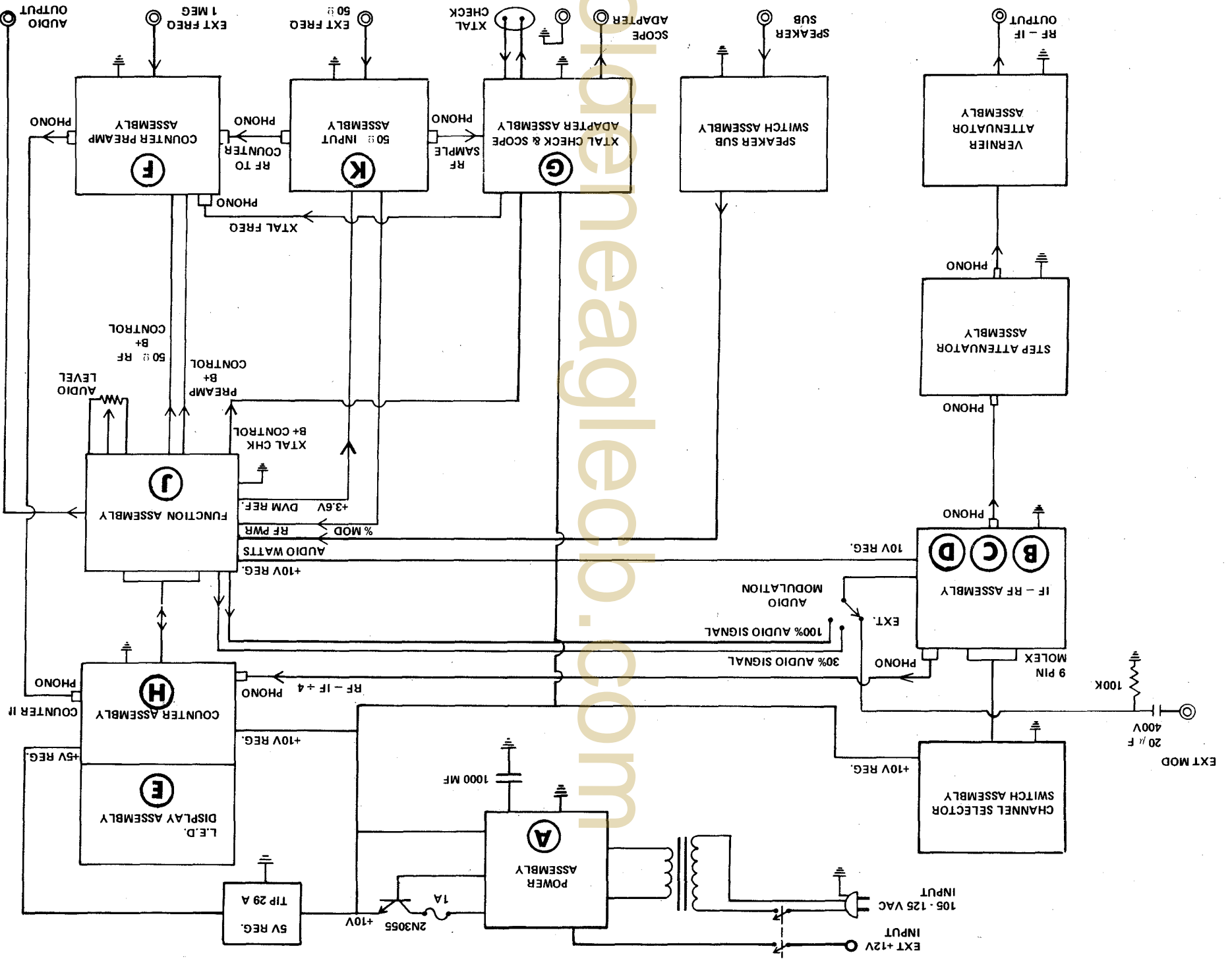
- COLOR LEGEND**
- +5V
  - +10V
  - COUNTER CLOCK *PART*
  - COUNTER SIGNAL *PART*
  - MULTIPLEX CLOCK
  - DISABLE
  - LATCH
  - RESET
  - % OFF CHANNEL
  - RF-IF ÷ 4



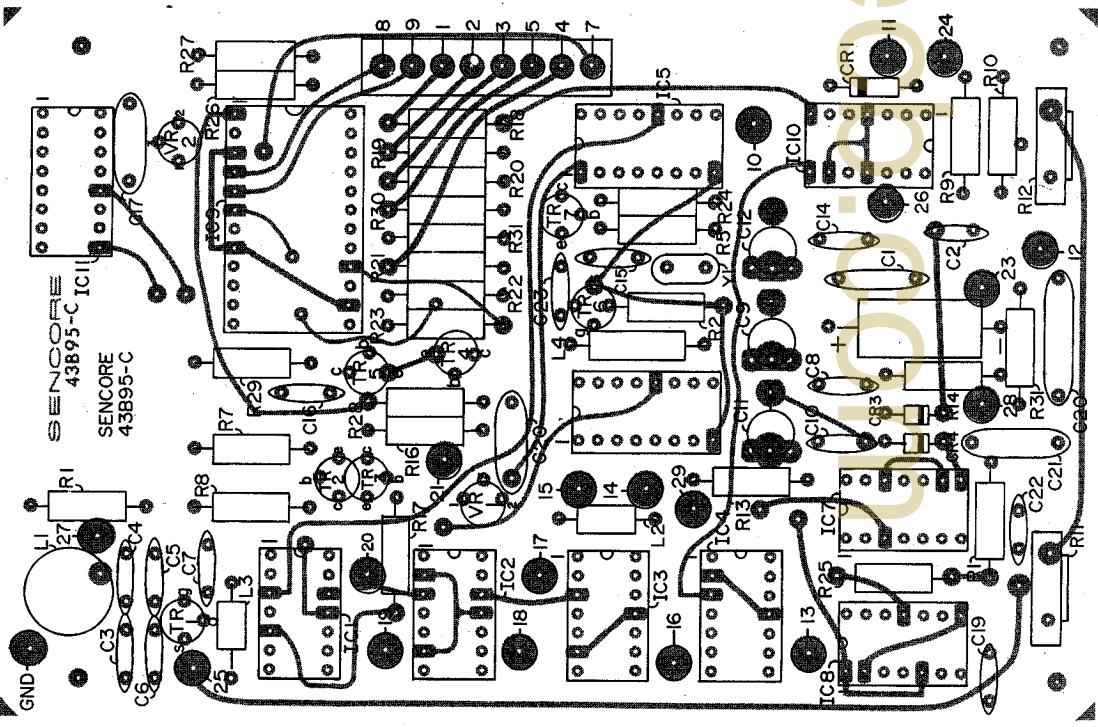
PC BOARD 2-B



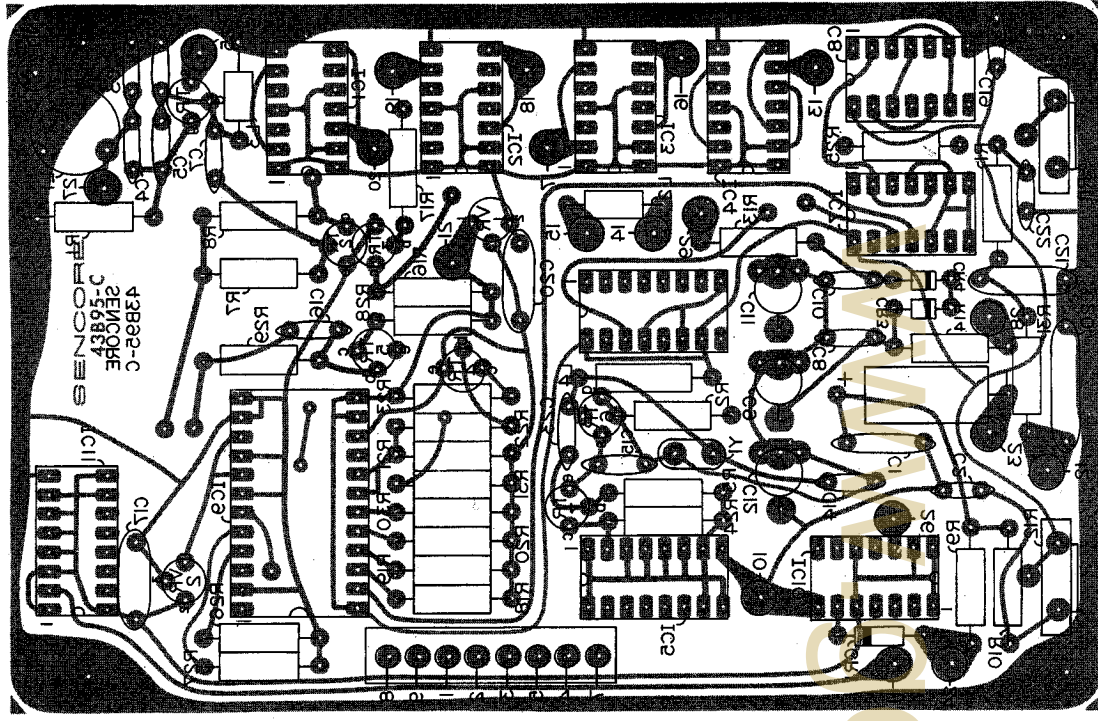
Block diagram of CB42.



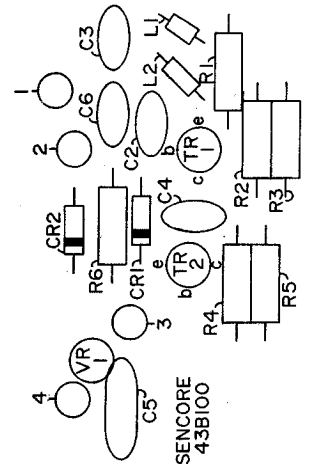
www.gutenberg.org/electronics.com



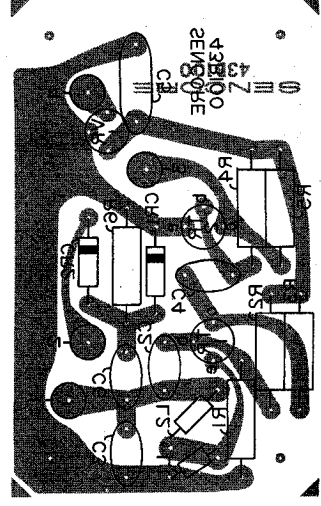
RF-IF BOARD (COMPONENT SIDE)



RF-IF BOARD (FOIL SIDE)



PLL/VCO BOARD (COMPONENT SIDE)



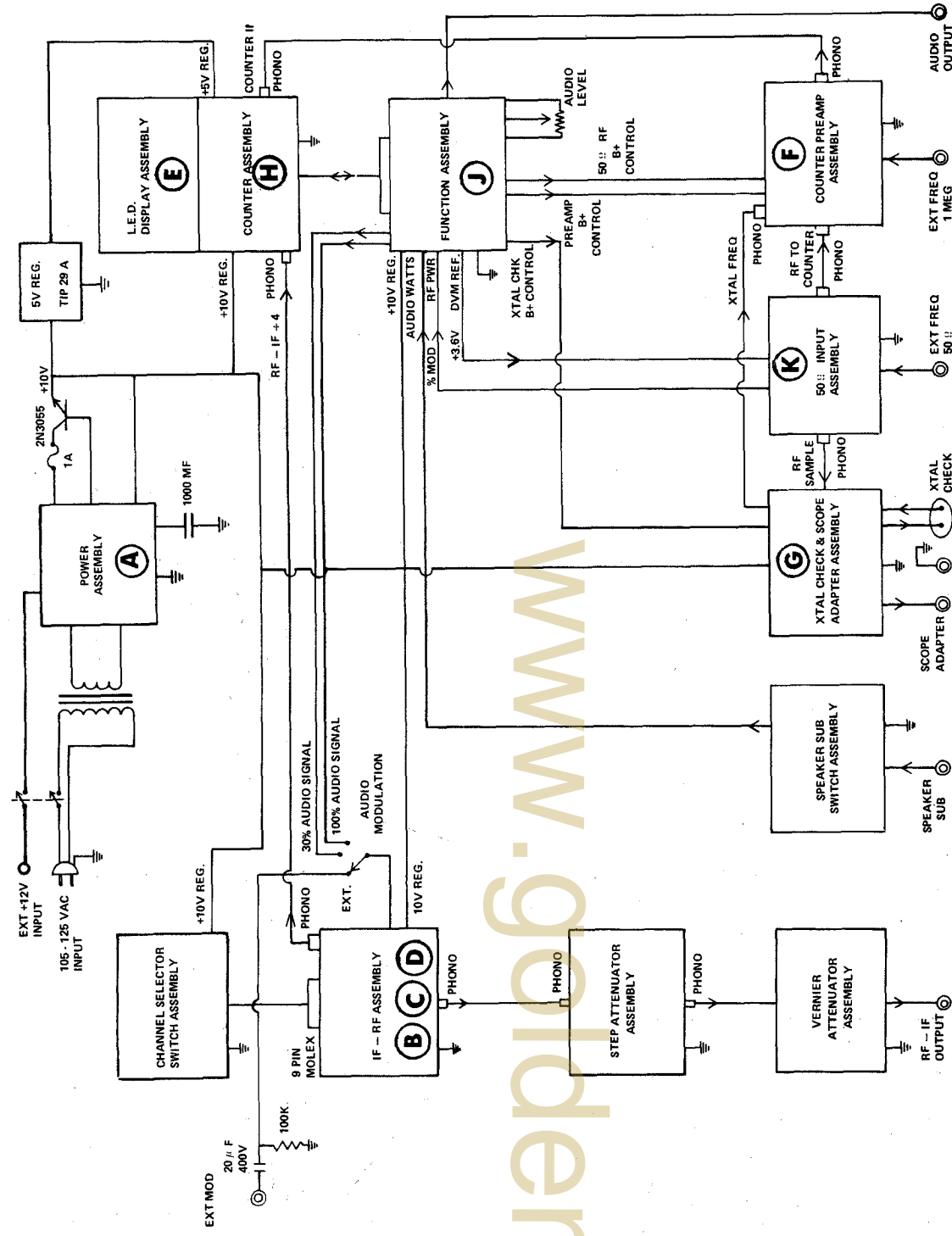
PLL/VCO BOARD (FOIL SIDE)

RF-IF PC BD. ASSY BOARD B

SCHEMATIC REFERENCE	PART NO.	DESCRIPTION	PRICE
VR201, 202	69G29	IC, 78L05A Regulator	1.50
IC201-203	69G31	IC, 74LS74, Dual "D", Low Power Schottky	1.50
IC204	69G26	IC, 74S74 Dual "D" Schottky	1.75
IC205, 211	69G25	IC, 25LS160 Decade Counter	3.50
IC206	69G23	IC, 14553 3 decade Counter	9.75
IC207	69G8	IC, 4013, Dual "D"	1.25
IC208	69G3	IC, 4011, Quad NAND	.75
IC209	69G24	IC, 4059, Programmable divider	12.00
IC210	69G33	IC, 74S00, Quad NAND Schottky	9.75
TR201, 206	19A19	Transistor, MPF102 FET	.75
TR203, 205	19A7-1	Transistor, 2N3563	.50
TR202, 204, 207	19A33	Transistor, 2N3904	.25
R202	15C7-17	Pot, 1K, Vert PC Mtg.	.75
R211	15C7-2	Pot, 10K, Vert PC Mtg.	.75
R212	15C7-14	Pot, 5K, Vert PC Mtg.	.75
L201	46A82	Coil, Tapped	1.25
L202	46G72	Coil, 680 uH	.50
Y201	47G20	Crystal, 10 MHz	8.25

PLL, VCO PC BD ASSY BOARD C

VR301	69G29	IC, 78L05A, Regulator	1.50
TR801, 802	19A7-1	Transistor, 2N3563	.50
CR301	50C5-2	Diode, 1N4148	.25
CR302	50C11-5	Diode, MV1630 Varicap	3.75
L301	46A84	Coil, 1 1/2 turn, 20 AWG	.25
L302	46A73	Coil, 6 1/2 turn, 20 AWG	.25



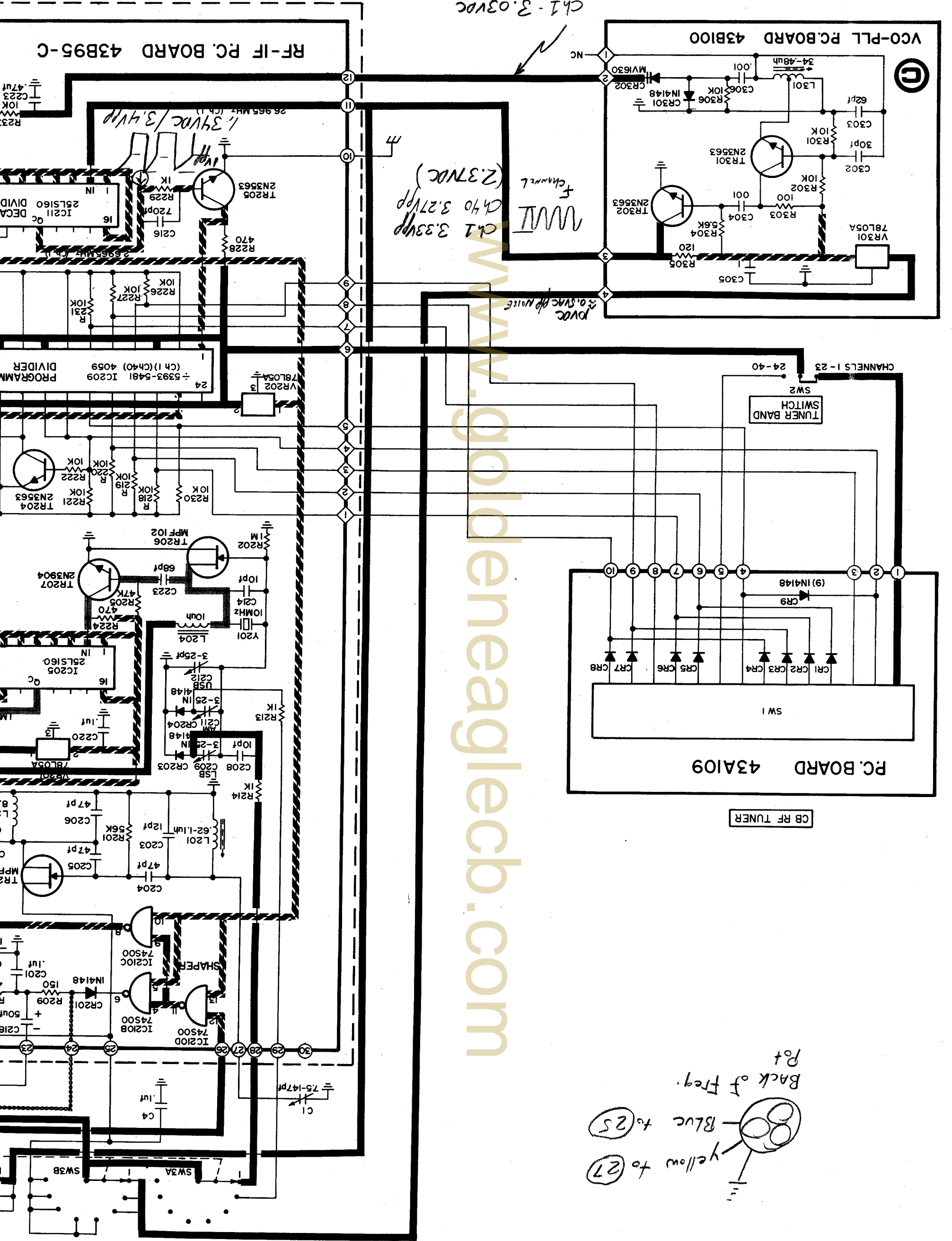
Block diagram of CB42.



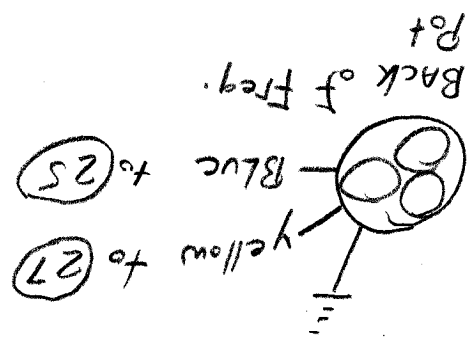
MEASUREMENTS TAKEN WITH STAKE SC61 / SOURCE LI-CAP PROBE (BLACK) I have varying times for CB42

CH1 - 3.03VDC  
CH40 - 6.85VDC  
NOISE:  $\approx 0.145VPP$   
Channel L

NOTE: ON SOME UNITS R232 IS A 47K RESISTOR



www.goldeneaglecb.com



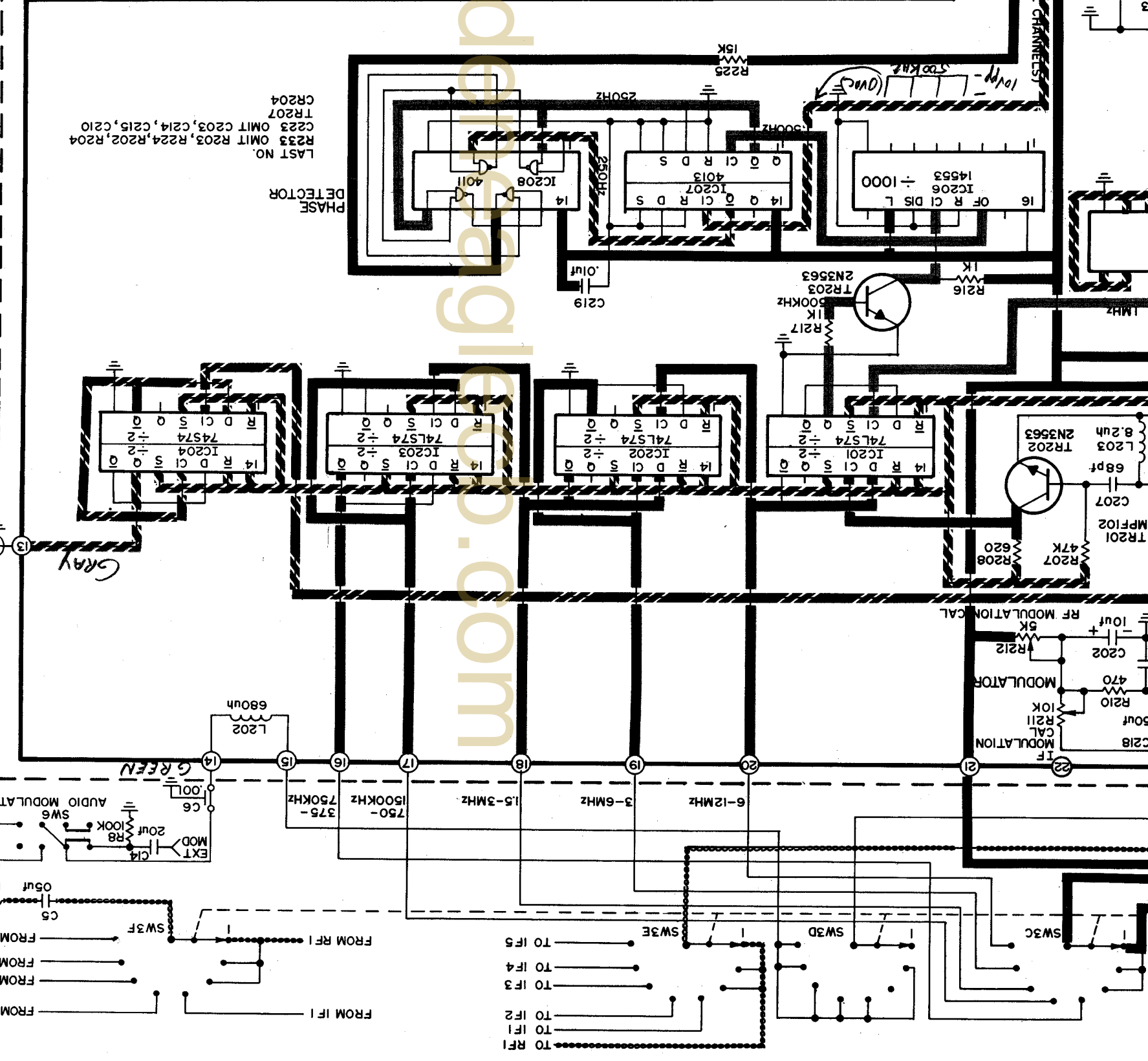
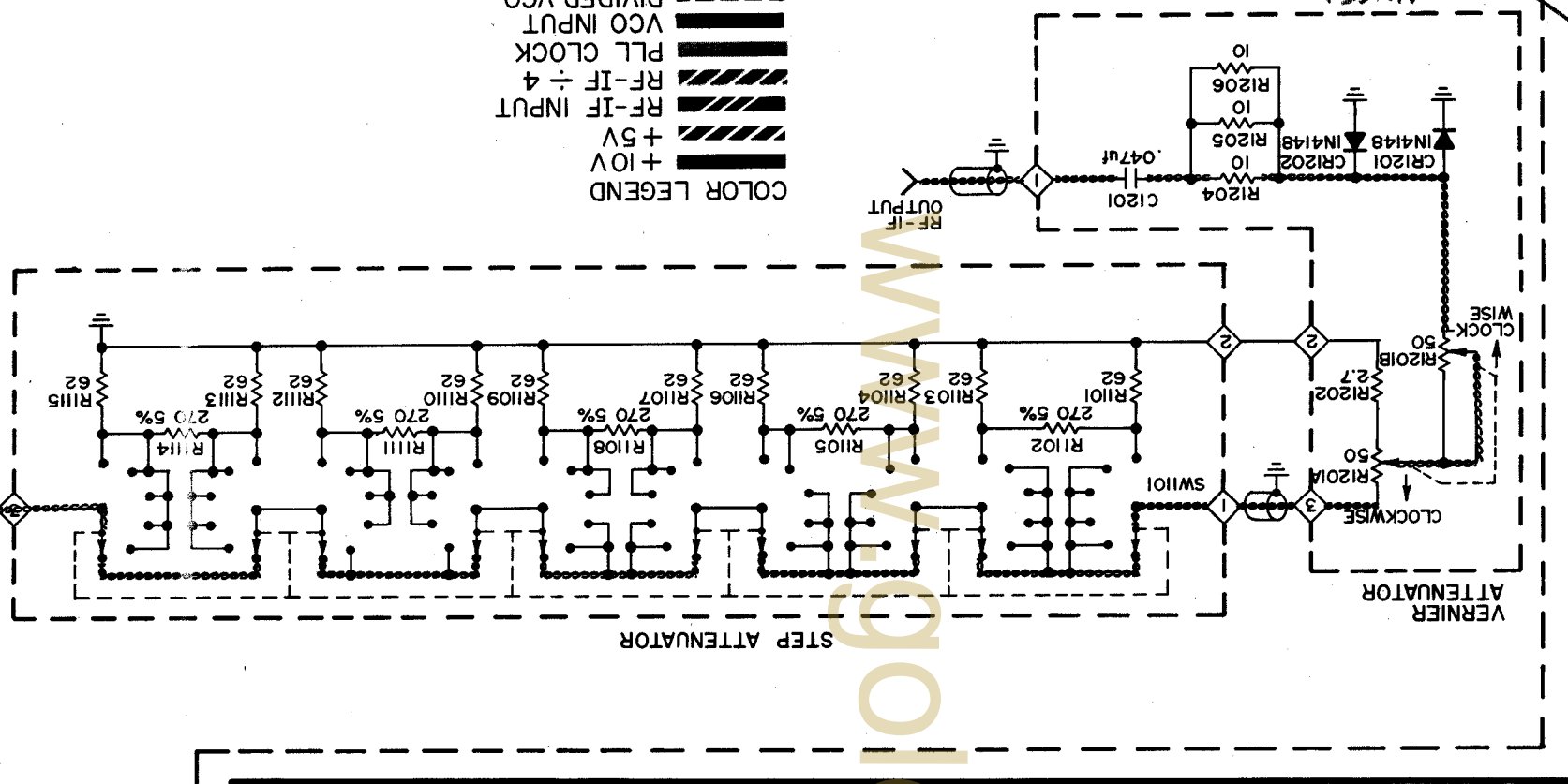
# THIS PAGE INCLUDES BOARDS B & C

ISSUE DATE: 1-7-77

NOTE: On some units R232 is a 47K Resistor

- COLOR LEGEND**
- +5V
  - +10V
  - RF-IF INPUT
  - RF-IF ÷ 4
  - PLL CLOCK
  - VCO INPUT
  - DIVIDED VCO
  - VCO CONTROL VOLTAGE
  - IF OUTPUT
  - MODULATED RF/IF

*500KHz SAMPLING*  
*CH 1 - 3.03VDC*  
*0.22Vpp*  
*Noise:*



*(0.935V)*  
 with Step  
 Attenuator set  
 At 10K coarse  
 And 1 Fine  
 Channel

LAST NO.  
 R233 OMIT C203, C214, C215, C210  
 CR204  
 TR207  
 CR204

PHASE  
 DETECTOR

**(B)**

HORIZONTAL CHANNELS

1MHz

TR201

MODULATOR

MODULATOR

TR202

RF MODULATION

MODULATOR

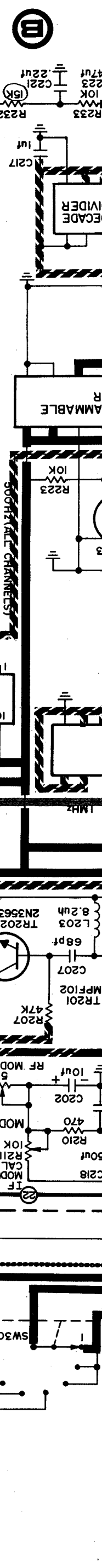
TR203

MODULATOR

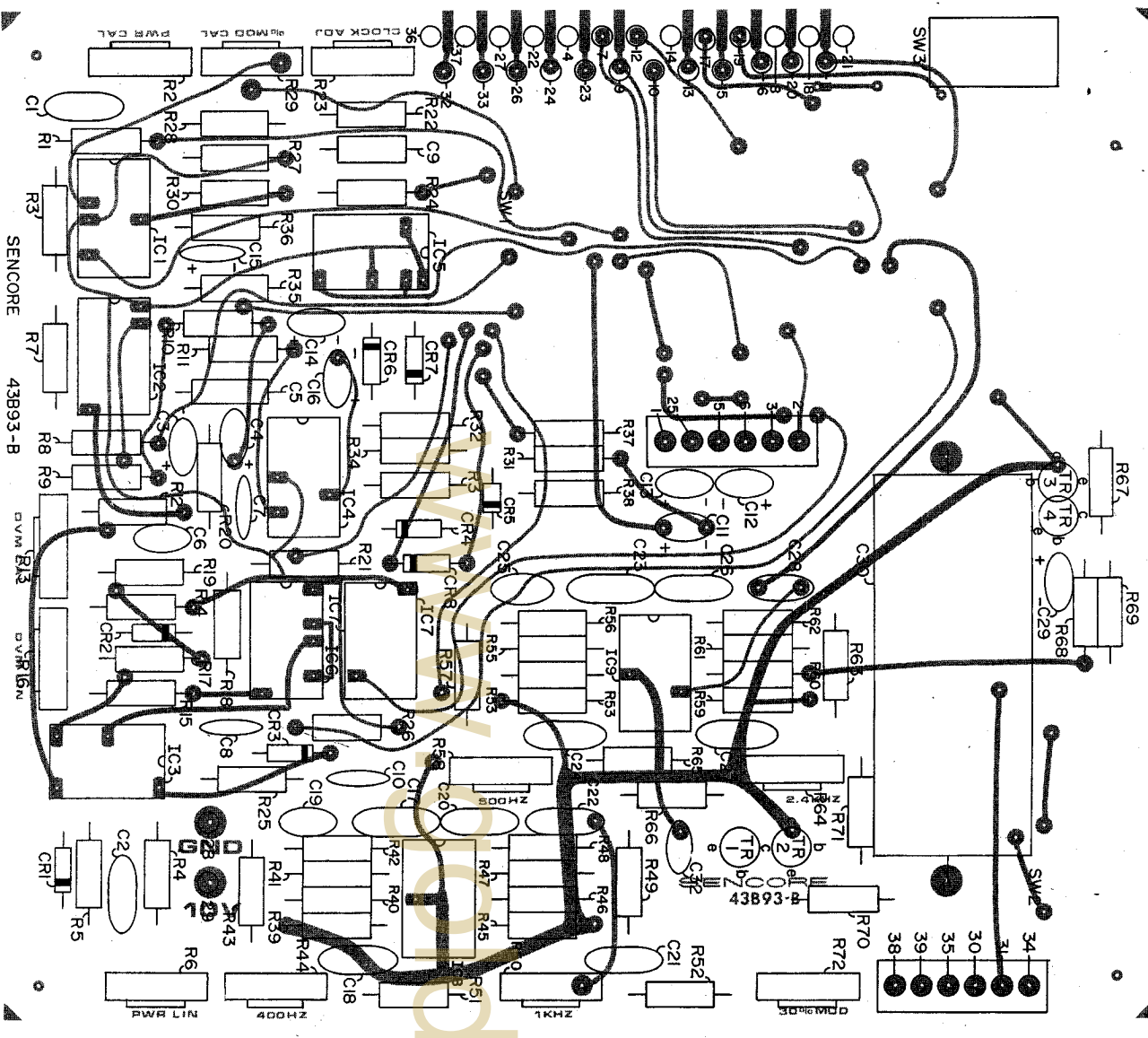
TR204

MODULATOR

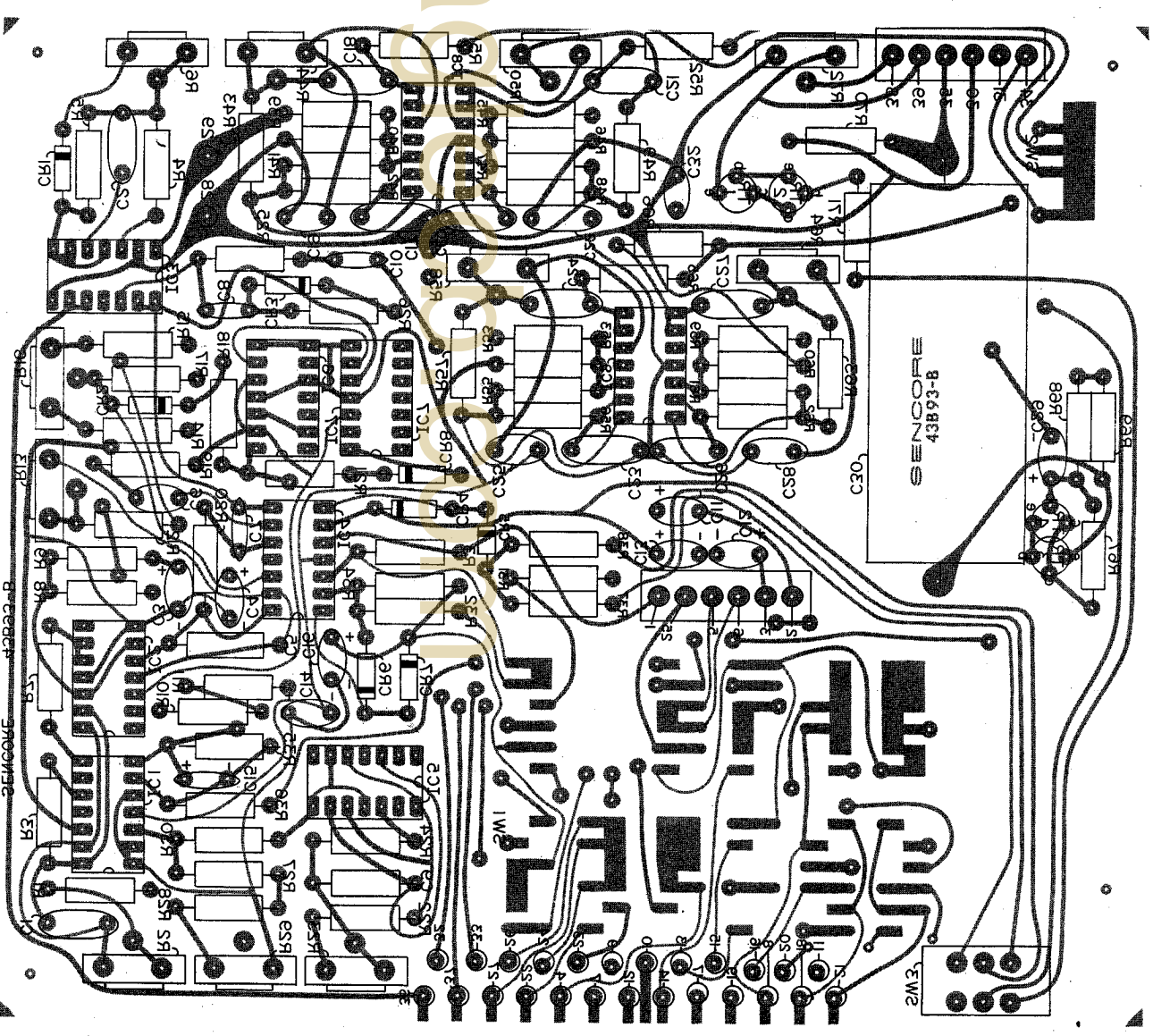
TR205





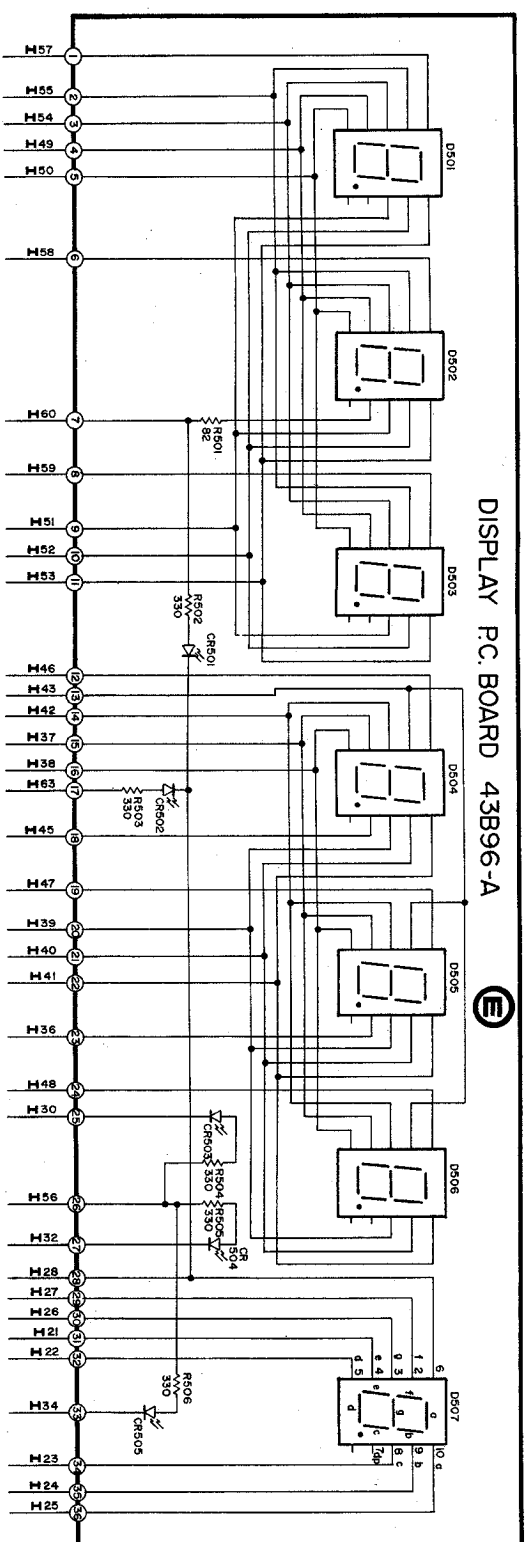


FUNCTION BOARD (COMPONENT SIDE)

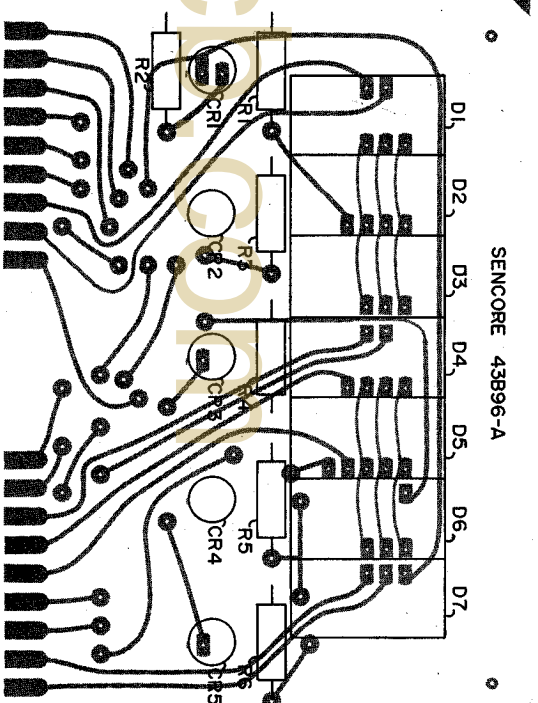


FUNCTION BOARD (FOIL SIDE)

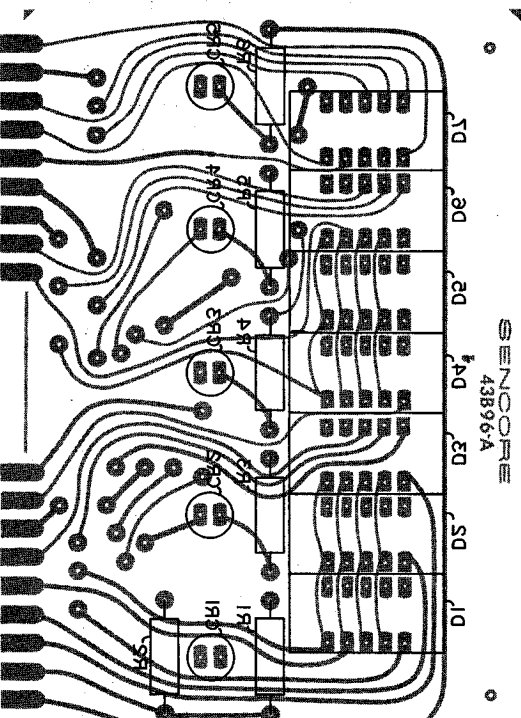
FUNCTION PC BD ASSY	BOARD J	DESCRIPTION	PRICE
IC901, 904, 908, 909	69G13	IC, LM324, Quad Op-Amp	3.25
IC902	69G11	IC, 4016, Quad Bilateral Switch	1.25
IC903	69G7	IC, 4001, Quad NOR	.75
IC905	69G12	IC, 4007, Triple CMOS pair	.75
IC906, 907	69G8	IC, 4013, Dual "D"	1.25
TR901, 902, 904	19A33	Transistor, 2N3904	.25
TR903	19A29	Transistor, MJE180	1.50
CR901-908	50C5-2	Diode, 1N4148	.25
R901, 905	14C30-1205	Resistor, 120K, 2%, 1/2W	.75
R912	14C29-1206	Resistor, 1.2M, 1%, 1/2W	.75
R914	14C30-1205	Resistor, 120K, 2%, 1/2W	.75
R915	14C30-5604	Resistor, 56K, 2%, 1/2W	.75
R922	14C29-2004	Resistor, 20K, 1%, 1/2W	.75
R927	14C29-1284	Resistor, 12.8K, 1%, 1/2W	.75
R928	14C30-5003A	Resistor, 5K, 2%, 1/2W	.75
R930	14C29-7203	Resistor, 7.2K, 1%, 1/2W	.75
R931	14C29-6674	Resistor, 66.7K, 1%, 1/2W	.75
R932, 934	14C29-1005A	Resistor, 100K, 1%, 1/2W	.75
R935, 937	14C29-3164	Resistor, 31.6K, 1%, 1/2W	.75
R936, 938	14C29-1004A	Resistor, 10K, 1%, 1/2W	.75
R902, 944	15C7-13	Pot, Carbon, 100K	.75
R906	15C7-14	Pot, Carbon, 5K	.75
R913	15C7-25	Pot, Carbon, 250K	.75
R916	15C7-12	Pot, Carbon, 25K	.75
R923, 964	15C7-23	Pot, Carbon, 15K	.75
R929	15C7-10	Pot, Carbon, 1.7K	.75
R950, 958	15C7-28	Pot, Carbon, 50K	.75
R972	15C7-9	Pot, Carbon, 100 Ohm	.75
SW901	25A240	Switch, Rotary, 6 sec., 9 pole	15.25
SW902	25A242	Switch, Rotary, 1 sec., 4-pos.	3.00
SW903	25A237	Switch, Pushbutton, 1 sec., 2 pole,	1.25
DISPLAY BOARD ASSY	BOARD E		
CR501-505	20G14	LED indicator	1.00
D501-507	23G60	7-segment com. cathode display	3.25



SCHEMATIC DIAGRAM, DISPLAY BOARD



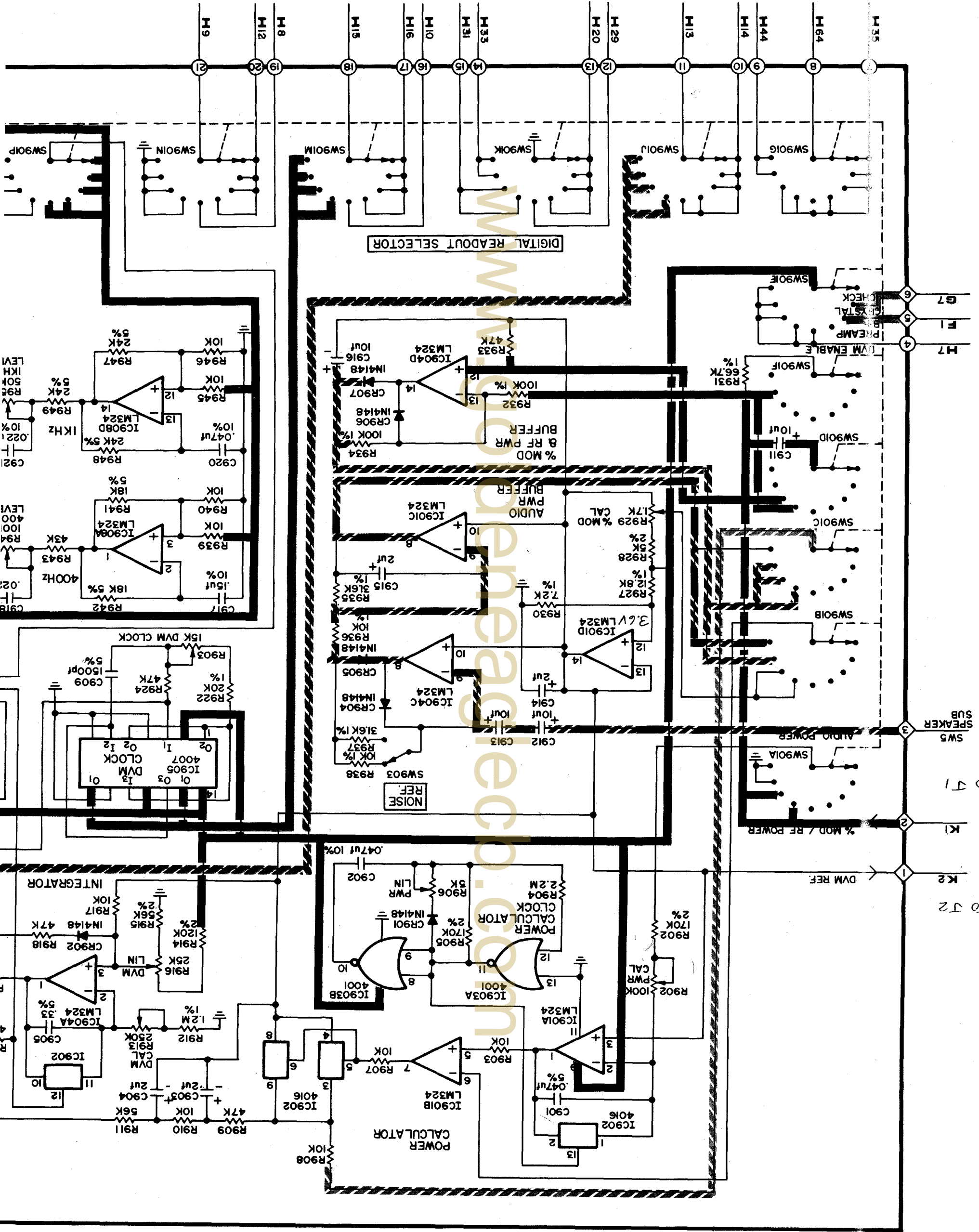
SCHEMATIC DIAGRAM, DISPLAY BOARD



SCHEMATIC DIAGRAM, DISPLAY BOARD



TH



Ext Xtal Check -  
 - % Pos Mod  
 - % Neg Mod  
 - RF WATTS  
 - Audio WATTS  
 RFT/Gew

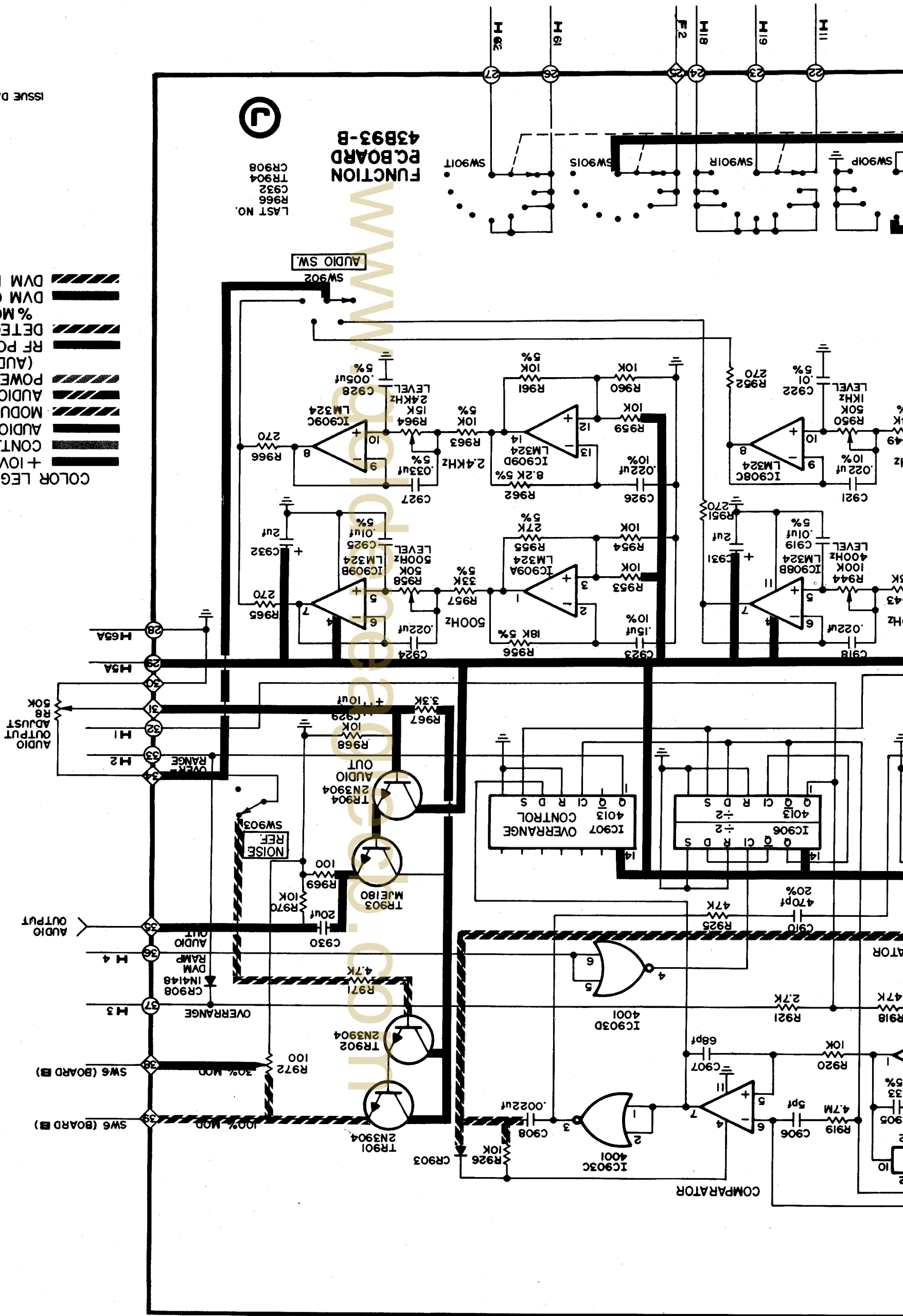
To J1  
 To J2



THIS PAGE INCLUDES BOARD J & E

ISSUE DATE: 1-7-77

- CONT. VOLTAGES OUT
  - AUDIO OUT
  - MODULATION AUDIO OUT
  - AUDIO POWER INPUT
  - POWER (E<sub>2</sub>) INPUT
  - (AUDIO, RF, %MOD)
  - RF POWER / %MOD INPUT
  - DETECTED RF POWER /
  - % MOD
  - DVM CLOCK OUT
  - DVM LATCH OUT
- COLOR LEGEND



FUNCTION PC BOARD  
43B93-B  
LAST NO. CR908  
TR904  
C932  
R966

CHASSIS PARTS

SCHEMATIC REFERENCE

PART NO.

DESCRIPTION

PRICE

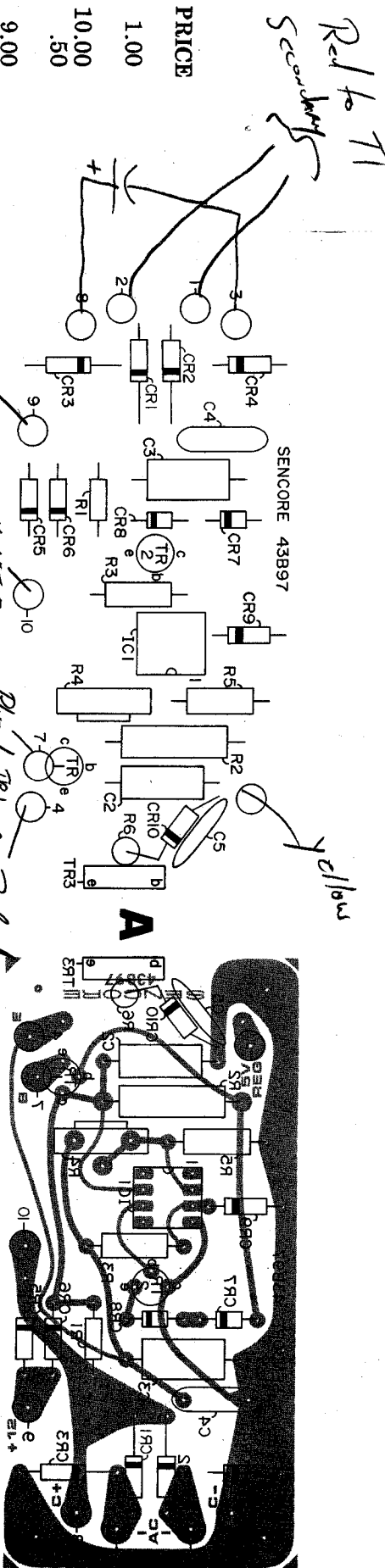
TR1	19A24	Transistor, 2N3055	1.00
SW1	25B239X	Switch, Rotary 24 position, preprogrammed CB RF Tuner	10.00
SW2	25G238	Switch, slide, SPDT, Tuner Band Switch, Rotary, 3-sect., 8 pos.,	.50
SW3	25A241	RF-IF Selector	9.00
SW4	25G245	Switch, Rocker, 2 PDT, Power	1.25
SW5	25B243	Switch, Rotary, 2 sec., 4 pos., Speaker Sub	4.50
SW6	25G64	Switch, Slide, 2P-3T, Modulation	1.00
SW1101	25A244	Switch, Rotary, 6-section, 6 pos, Step Attenuator	15.50
R1201	15C1-43	Pot. Dual 50 Ohm, Vernier Attenuator	7.50
T1	28K70	Transformer, Power	7.25
P1	26G212	Connector, Auto Lighter	1.50
	108K160	Front Panel Assy	
	110K347	Case, Wrap	
	110K348	Case Bottom	
	63K20	Window, Red Plastic, Digital Readout	
	63K21	Knob, 45 Channel indicator	
	39G103	Socket, Universal Crystal	
	43B92	PC Board, Counter/Timebase	
	43B93	PC Board, Function/DVM	
	43B94	PC Board, Crystal Check and Scope Adapter	
	43B95	PC Board, RF-IF	
	43B96	PC Board, Display	
	43B97	PC Board, Power Supply	
	43B98	PC Board, 50 Ohm	
	43B99	PC Board, Counter Preamp	
	43B100	PC Board, PLL/VCO	

50 OHM LOAD BOARD BOARD K

CR1001-6	50C5-2	Diode, 1N4148	.25
L1001, 1002	46G69	Coil, 4.7 uH	2.75
R1002	15C7-17	Pot, 1 K	.75

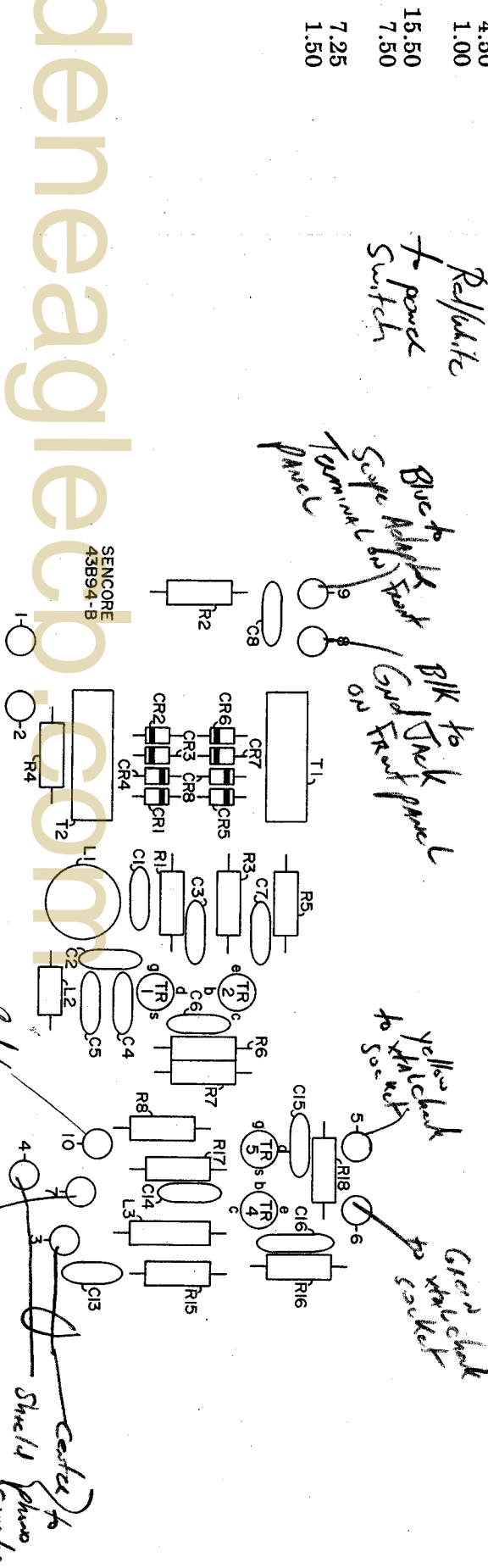
ACCESSORIES

39G102	Dynamic Mike Tester	15.75
39G105	RF Cable Assy, Isolation Counter	6.75
39G104	RF Cable Assy, BNC/PL259	7.50
39G106	Audio Test Lead, Phono/Test clips	4.50
39G109	Audio Lead, Phono/Min. Phone	3.75
39G110	RF Probe, 50 Ohm terminated	12.75
NL204	Impulse Noise Limiter Accessory	25.00
RFS205	Radio Frequency Switch	25.00



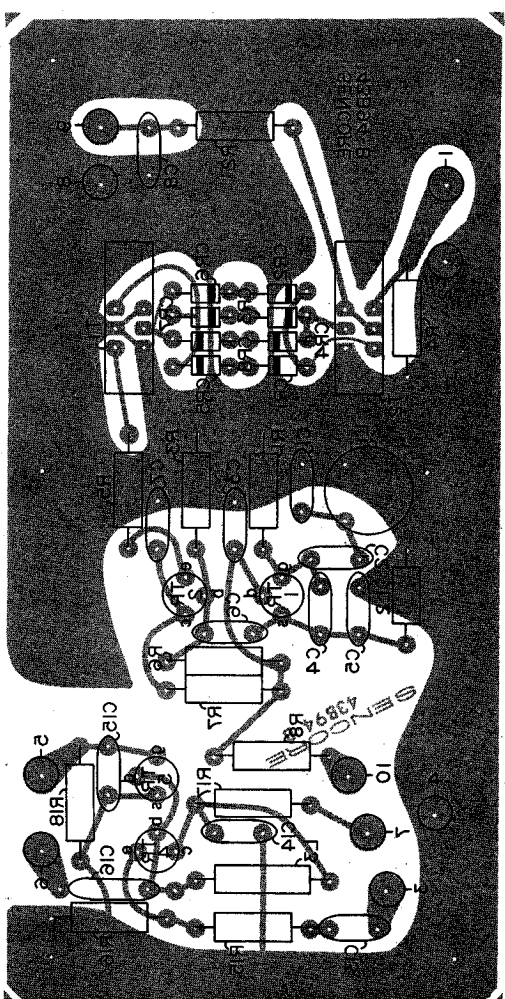
POWER SUPPLY P.C. BOARD (COMPONENT SIDE)

POWER SUPPLY BOARD (FOIL SIDE)



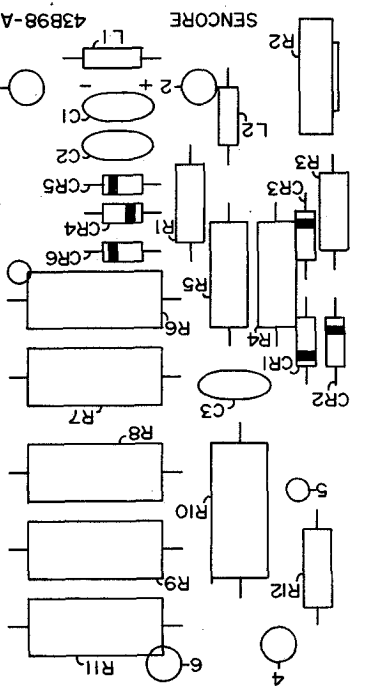
SCOPE ADAPTER AND XTAL CHECK (COMPONENT SIDE)

G

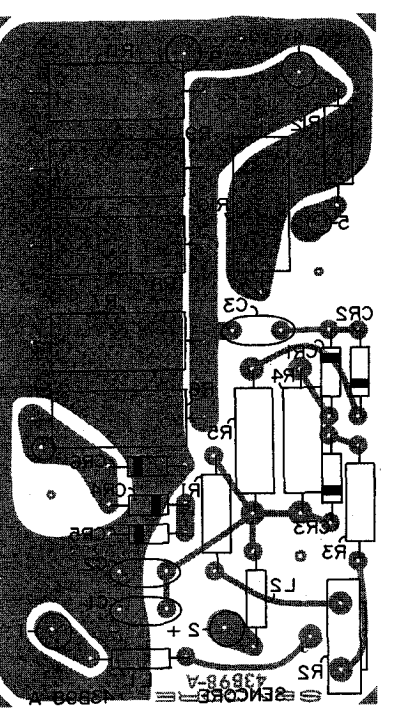


SCOPE ADAPTER AND XTAL CHECK (FOIL SIDE)

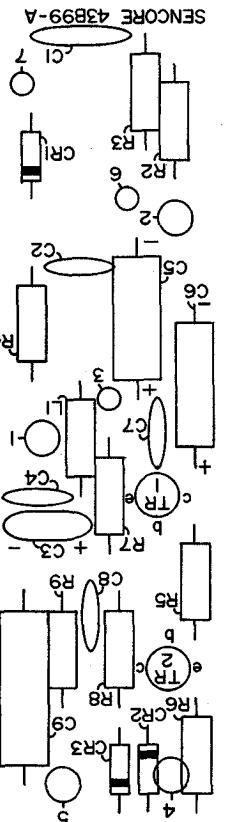




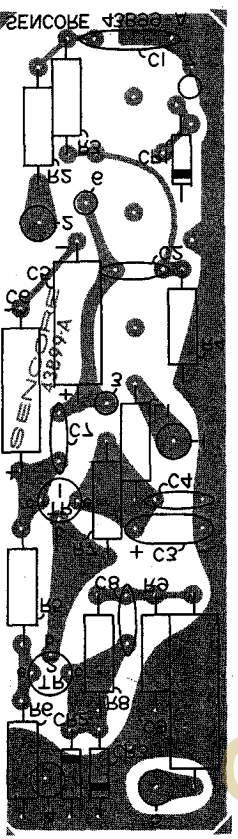
50-OHM LOAD (COMPONENT SIDE)



50-OHM LOAD (FOIL SIDE)



PREAMP (COMPONENT SIDE)



PREAMP (FOIL SIDE)

POWER SUPPLY PC BD ASSY	BOARD A	SCHEMATIC REFERENCE	PART NO.	DESCRIPTION	PRICE
		IC101	69G1	IC, 741 Op Amp.	2.00
		TR401	19A33	Transistor, 2N3096	.25
		TR102	19A34	Transistor, 2N3906	.25
		TR103	19A26	Transistor, TIP29A	1.50
		CR101-104	16G10	Diode, 1A, 400 PIV	.50
		CR105	16G14	Diode, 3A rectifier	.50
		CR106	50C3-2	Diode, 1N695	.50
		CR107, 108	50C5-2	Diode, 1N4148	.25
		CR109	50C4-6	Diode, 6.2 V Zener	1.00
		R104	15C7-14	Pot, 5K Vert PC Mt.	.75

XTAL CHECK AND SCOPE ADAPTER	BOARD G	IC701	69G21	IC, 3130 Op Amp	2.75
		TR701	19A27	Transistor, 2N5457	1.00
		TR702, 704	19A7-1	Transistor, 2N3563	.50
		TR703	19A33	Transistor, 2N3904	.25
		TR705	19A19	Transistor, MPF102	1.00
		CR701-704	50C5-2	Diode, 1N4148	.25
		L701	46G70	Coil, .62 uH-1.1 uH	.75
		L702	46G69	Coil, 4.7 uH	2.75
		L703	46G9	Coil, 10 uH	1.25
		T701, 702	46G85	Toroid Transformer	1.75

PREAMP BD ASSY	BOARD F	TR801	19A34	Transistor, 2N3906	.25
		TR802 <td>19A6-1 <th>Transistor, 2N5163 (Factory Selected)</th> <th>.75</th> </td>	19A6-1 <th>Transistor, 2N5163 (Factory Selected)</th> <th>.75</th>	Transistor, 2N5163 (Factory Selected)	.75
		CR801-803 <td>50C5-2 <td>Diode, 1N4148</td> <td>.25</td> </td>	50C5-2 <td>Diode, 1N4148</td> <td>.25</td>	Diode, 1N4148	.25
		L801 <td>46G72 <td>Coil, 680 uH</td> <td>.50</td> </td>	46G72 <td>Coil, 680 uH</td> <td>.50</td>	Coil, 680 uH	.50

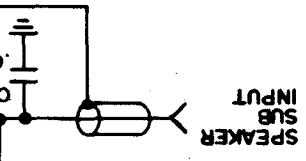
RF-IF FILTER BD ASSY	BOARD D	L401, 403	46G83	Coil, .33 uH	.50
		L402, 416, 418	46G74	Coil, 1 uH	.50
		L404, 406, 411	46G79	Coil, 15 uH	.50
		L405	46G81	Coil, 56 uH	.50
		L407, 409	46G78	Coil, 8.2 uH	.50
		L408	46G80	Coil, 27 uH	.50
		L410, 412	46G69	Coil, 4.7 uH	2.75
		L413, 415	46G75	Coil, 2.2 uH	.50
		L414	46G77	Coil, 6.8 uH	.50
		L417	46G76	Coil, 3.9 uH	.50

SPEAKER SUB	R5	14C29-47-4	Resistor, 47K, 1%, 1/8W	.75
	R6	14C29-6674	Resistor, 66.7K, 1%, 1/8W	.75
	R7	14C29-9414	Resistor, 94.1K, 1%, 1/8W	.75
	SW5	25B243	Switch, Rotary, 4 pos. 1-sec.	.75

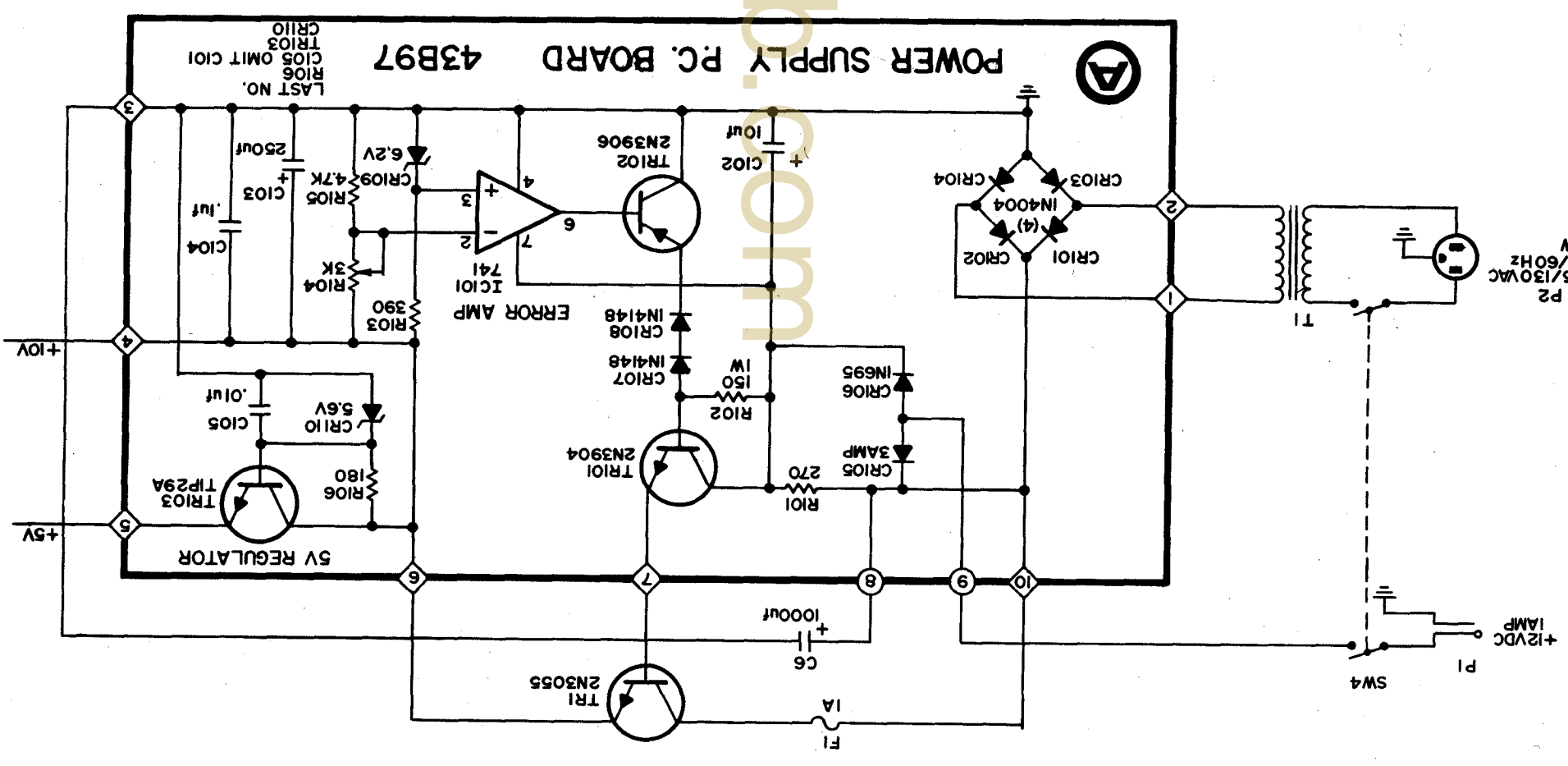
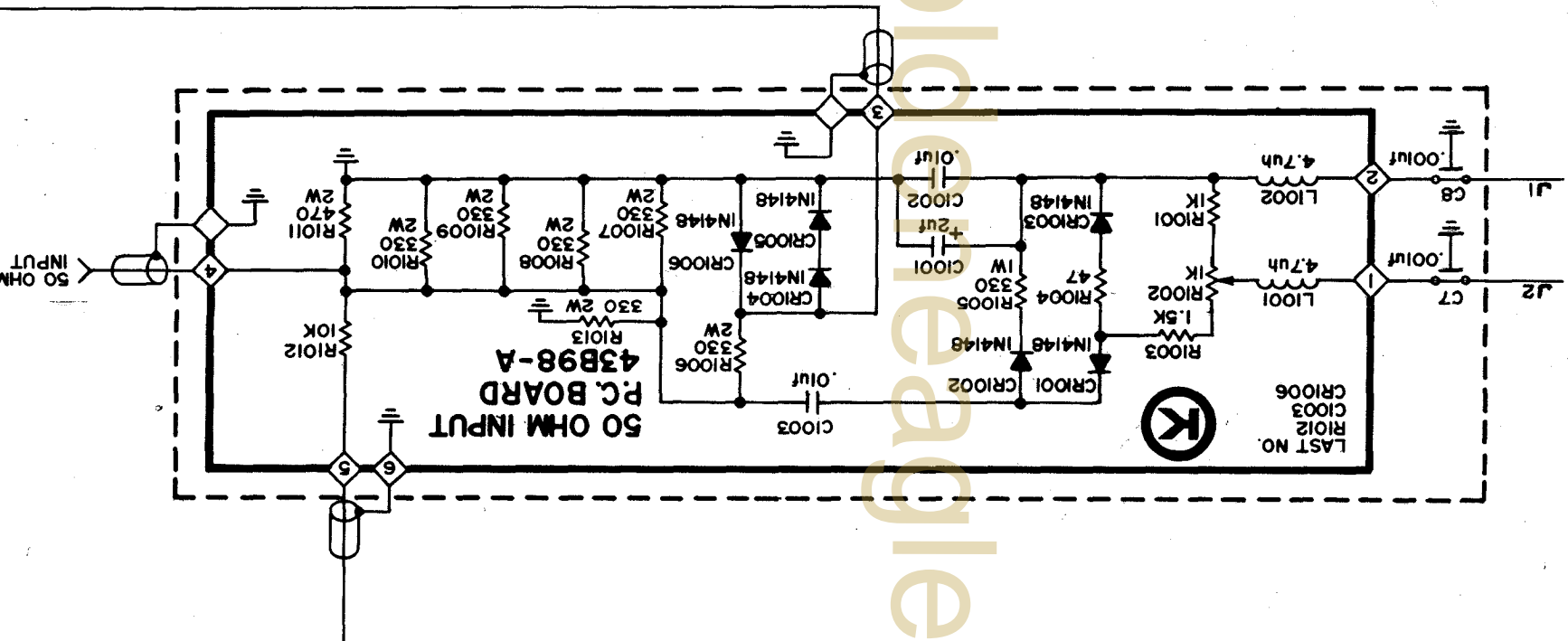
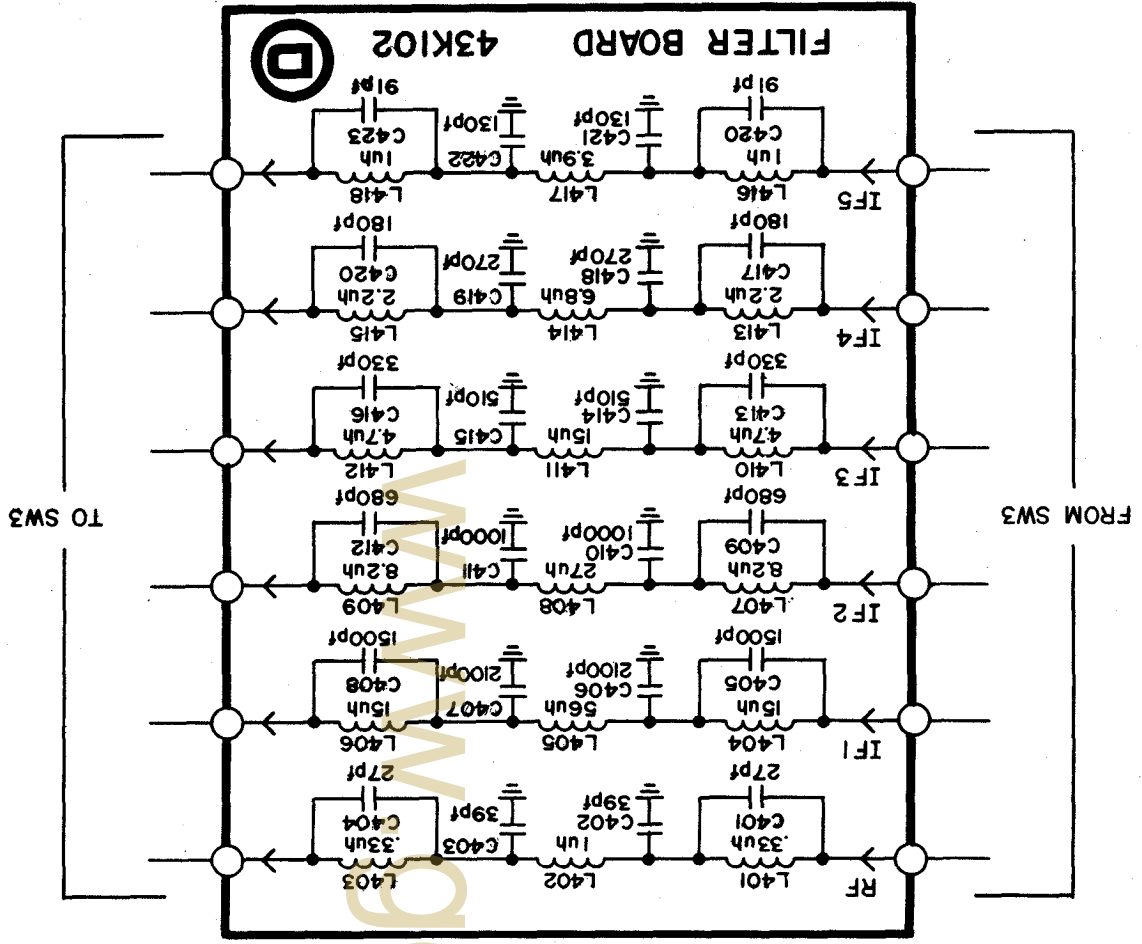
www.goldenelect.com

ON A RUMI CHASSIS  
 R5 is A 3.3K 1/2W  
 R4 is not present  
 CR3 is Replaced with  
 1K 1/4W  
 1/2W





NOTES:  
 1. ALL RESISTANCES SHOWN  
 2. FRONT PANEL CONTROL



**THIS PAGE INCLUDES BOARDS  
A, D, F, G, K & SPEAKER SUB.**

RESISTORS ARE ENCLOSED IN A BOX. CAPACITANCES AS SPECIFIED.

